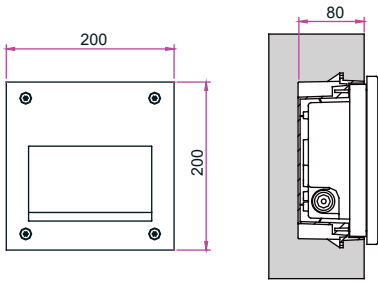


installation and maintenance sheet

D51/1

NB: These assembly instructions must be given to end users for correct maintenance and so that they know how to change the bulb. The appliance must not be tampered with or transformed and it must be installed and used as supplied and in compliance with the National Rules on Installations. Any non-compliant installations will invalidate all forms of guarantee. THE COMPANY CANNOT BE HELD RESPONSIBLE FOR DAMAGE CAUSED BY INCORRECT ASSEMBLY.



ATTENTION
Switch-off the power supply before any installation and maintenance operations

Features and meaning of the symbols shown on the label:

According to EN 60598-1, EN 60598-2-1

IP65 Totally dust-proof and water jet-proof from any direction

Class II Double insulation: no earth required

Replace the modules with damaged screens

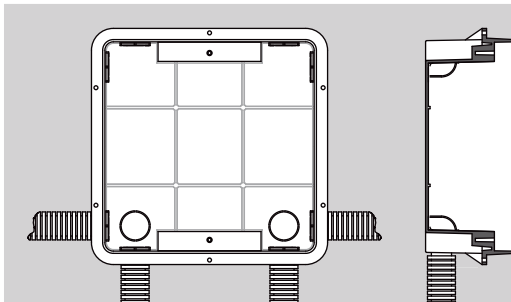
Disposing of as urban waste is forbidden, separate collection when the product is at the end of its life

Versions

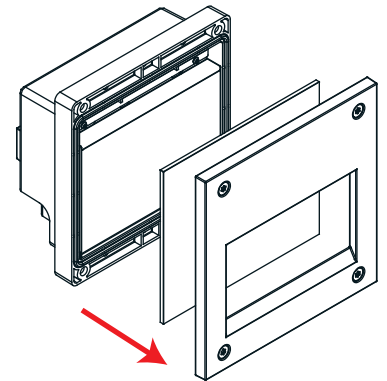
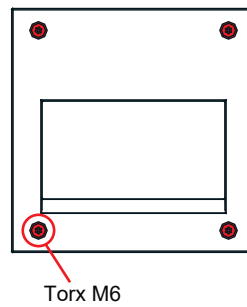
D51/1-EL83	D51/1-DD83	7W
D51/1-EL84	D51/1-DD84	

INSTALLATION

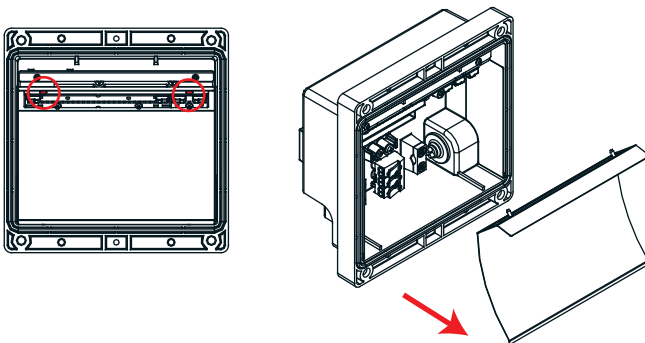
1



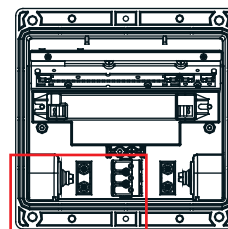
2



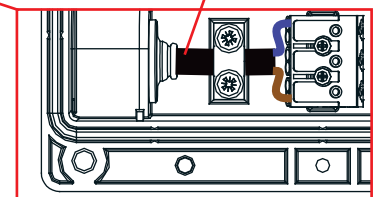
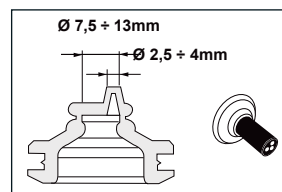
3



4



H07RN-F



Quality control: In case of complaint please get in touch with our company or its sales organization. Please give the number of your order as well as the serial number that recognizes the fixture. / Specifications are subject to change without notice!

installation and maintenance sheet

D51/1

NB: These assembly instructions must be given to end users for correct maintenance and so that they know how to change the bulb. The appliance must not be tampered with or transformed and it must be installed and used as supplied and in compliance with the National Rules on Installations. Any non-compliant installations will invalidate all forms of guarantee. **THE COMPANY CANNOT BE HELD RESPONSIBLE FOR DAMAGE CAUSED BY INCORRECT ASSEMBLY.**

